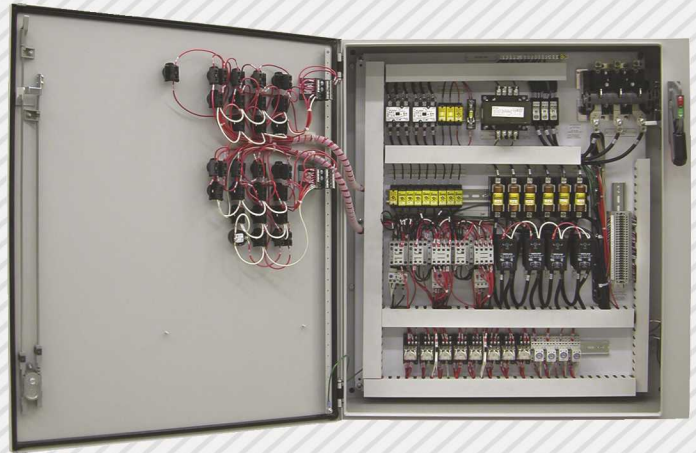




Designed to Perform. Built to Last.

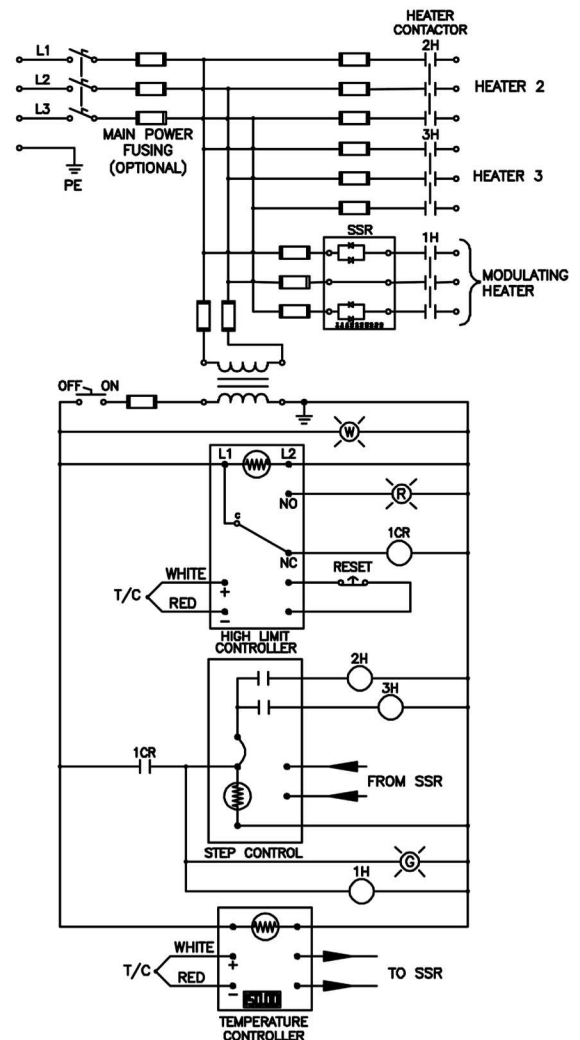
CONTROL PANELS



Mokon's power and process control panels for industrial applications provide a high-quality solution to your electrical needs. Mokon's engineers have applied their knowledge and expertise in process heating and cooling systems to develop process control panels.

Capabilities

- Standard, custom, and pre-engineered panels
- UL 508A Certification – Open and Enclosed Types
- UL NRBx Certification – Intrinsically Safe Designs
- UL NNNY Certification – Hazardous Location Designs
- CSA compatibility
- ESA electrical approval
- NEC and CEC standards
- CE Mark and directives compliant
- NEMA/Type 1, 3, 4, 4X, 7, and 12 rated enclosures
- Explosion proof "X" and "Z" purge systems
- Wash down designs with stainless steel enclosures
- Local or remote panels
- Primary voltages up to 600 Volt
- Secondary voltages include 24V, 120V, 208V, and 240V
- Single or three phase circuits
- Various communication capabilities and alarms
- Linear: 0-5V, 0-10V, 4-20mA
- Serial: RS485, RS232
- Programmable logic controllers
- Customer preferred controls
- SCRs, VFDs, and PLC interfacing
- Modbus, Profibus, Ethernet



Typical electrical schematic

Additional Process Control Solutions from Mokon

Hazardous Area Control Panel

UL Approved control panel located in a hazardous location – Class I, Division II, Group C/D controlling process heaters. Panel has 460 Volt 3 Phase main circuit breaker, single zone, and viewing window for sub-panel mounted electronic control.



Outdoor Control Panel

Outdoor 300 kW NEMA/Type 4X stainless steel enclosure with 2 removable doors, 600 amp fused disconnect, 8 circuits with SCR control, PLC touch screen and oxygen analyzer and sensor.



Multi-Zone Process Heating Control Panel

3 Zone UL 508A Approved electrical control panel. The panel has a main door disconnect - each circuit has an electronic PID digital control with high limit safety and fused control circuit.



Free-Standing Control Panel

Custom four door multi-circuit 460 Volt 3 Phase free-standing panel with electronic indicating PID controllers and large screen display.



Contact Mokon for detailed information on power and process control panels.



Designed to Perform. Built to Last.

2150 Elmwood Avenue
Buffalo, New York 14207

P (716) 876-9951
F (716) 874-8048
E sales@mokon.com

mokon.com

Technical data shown is subject to change without notice. The company will endeavor to supply the equipment as illustrated but reserves the right to make dimensional and other design changes as required.



CP 04/23 MOK8384